



AIR NOZZLE SILVENT 730 C

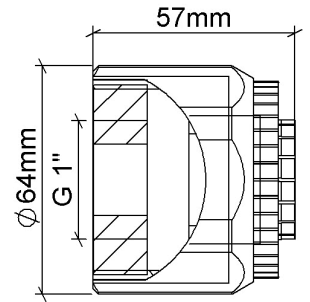
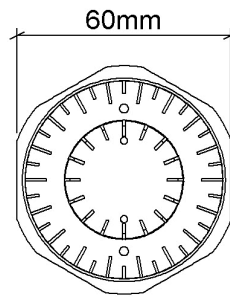
Item number: 07300149326, 07300249326

- **Stainless steel slot nozzle**

SILVENT 730 C: with aerodynamic slots to allow optimal utilization of compressed air while keeping the noise level to a minimum. Blowing force approximately 30 times stronger than SILVENT 701 (98.0 N (21.6 lbs)). For applications requiring more concentrated force on the center of the object to be cleaned, dried, cooled, transported, etc. The extra slot nozzle in the middle increases air velocity and thereby blowing force, while retaining the air cone pattern of a SILVENT 720. Specially made entirely of stainless steel. Part of SILVENT's 700 C series, together with 707 C and 715 C.

Technical data

Replace open pipe Ø (mm)	25
Blowing force (N)	98.0
Air consumption (Nm ³ /h)	636
Sound level (dB(A))	105
Nozzle technology	Slot
Material (nozzle)	1.4305 (303)
Connection	G 1"
Connection type	Female
Weight (g)	696
Max temp (°C)	400
Max op. pressure (MPa)	1.0



Benefits when replacing an open pipe

Replace open pipe Ø (mm)	25	
Noise reduction	26 [dB(A)]	84%
Energy savings	523 [Nm ³ /h]	45%

Material specification: EN 1.4305

Blowing properties at different pressures

Pressure (kPa)	200	400	600	800	1000
Blowing force (N)	31.8	75.3	117.9	161.9	205.3
Air consumption (Nm ³ /h)	275.6	518.5	750.0	990.6	1228.3
Sound level (dB(A))	97.3	102.5	106.3	107.7	109.1

Blowing coverage (mm)

