



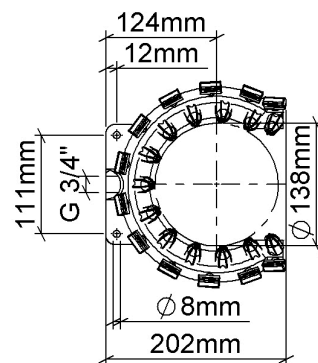
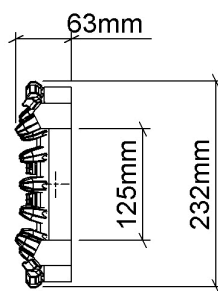
## AIR NOZZLE SILVENT 465 L

Item number: 04650169161, 04650269161

SILVENT 465 L: with a unique double nozzle system. Two different blowing patterns unite to achieve maximum results. The outer ring provides initial cleaning and prepares the surfaces for the inner system, which then completes the drying or cleaning process. Blowing force 76.0 N (16.77 lbs.).

### Technical data

Replace open pipe Ø (mm)	20
Blowing force (N)	73.9
Air consumption (Nm <sup>3</sup> /h)	449.6
Sound level (dB(A))	94
Nozzle technology	Laval
Material (nozzle)	Zn
Connection	G 3/4"
Connection type	Female
Weight (g)	1429
Max temp (°C)	70
Max op. pressure (MPa)	1.0



### Benefits when replacing an open pipe

Replace open pipe Ø (mm)	20
Energy savings	290 [Nm <sup>3</sup> /h] 39%

Material specification: Zn ZP0410 EN 1284, EN 1.0718 Fzb, NBR 70

### Blowing properties at different pressures

Pressure (kPa)	200	400	600	800	1000
Blowing force (N)	29.9	59.6	88.2	117.8	150.1
Air consumption (Nm <sup>3</sup> /h)	218.5	365.4	533.7	698.4	856.6
Sound level (dB(A))	85.9	93.3	97.8	100.3	102.5