

## AIR NOZZLE SILVENT 464

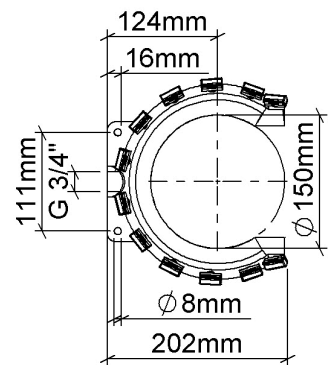
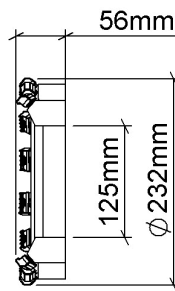
Item number: 04640169071, 04640269071

- **360° nozzle, medium**

SILVENT 464: a doughnut nozzle with just an outer ring of flat nozzles that offers the very lowest noise level and air consumption. Perfectly adequate for the removal of lightweight matter and lesser amounts of liquid. Provides plenty of blowing force for applications such as drying or cleaning of cable, pipe, hose or sections passing through the doughnut at moderate speeds. Efficient and uniform 360° coverage is guaranteed - even at the opening in the doughnut, where extra powerful nozzles are mounted at the optimal blowing angle. SILVENT 464 allows problem-free insertion and removal of material with diameters of 25 to 105 mm (1.0" - 4.1") through the opening in the doughnut. There are attachment lugs for easy and safe mounting.

### Technical data

Replace open pipe Ø (mm)	16
Blowing force (N)	32.0
Air consumption (Nm <sup>3</sup> /h)	234
Sound level (dB(A))	92
Nozzle technology	Slot
Material (nozzle)	Zn
Connection	G 3/4"
Connection type	Female
Weight (g)	1100
Max temp (°C)	70
Max op. pressure (MPa)	1.0



### Benefits when replacing an open pipe

Replace open pipe Ø (mm)	16	
Noise reduction	30 [dB(A)]	88%
Energy savings	240 [Nm <sup>3</sup> /h]	51%

Material specification: Zn ZP0410 EN 1284, NBR 70

### Blowing properties at different pressures

Pressure (kPa)	200	400	600	800	1000
Blowing force (N)	12.6	26.2	38.8	51.4	66.0
Air consumption (Nm <sup>3</sup> /h)	108.0	186.0	272.4	355.2	438.0
Sound level (dB(A))	80.9	88.1	92.7	95.2	98.2