



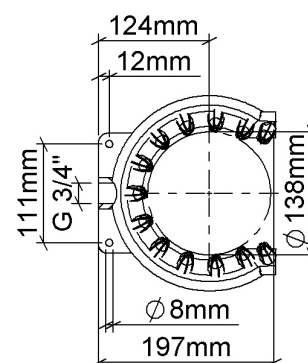
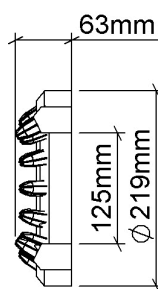
AIR NOZZLE SILVENT 463 L

Item number: 04630169160, 04630269160

SILVENT 463 L: with an inner ring of 2120 L nozzles and suitable for most applications. Our most frequently used doughnut nozzle type. Blowing force 42.0 N (9.3 lbs).

Technical data

Replace open pipe Ø (mm)	16
Blowing force (N)	41.4
Air consumption (Nm ³ /h)	220.4
Sound level (dB(A))	90.6
Nozzle technology	Laval
Material (nozzle)	Zn
Connection	G 3/4"
Connection type	Female
Weight (g)	1209
Max temp (°C)	70
Max op. pressure (MPa)	1.0



Benefits when replacing an open pipe

Replace open pipe Ø (mm)	16	
Noise reduction	31 [dB(A)]	88%
Energy savings	254 [Nm ³ /h]	54%

Material specification: Zn ZP0410 EN 1284, EN 1.0718 Fzb

Blowing properties at different pressures

Pressure (kPa)	200	400	600	800	1000
Blowing force (N)	17.3	33.4	49.4	65.6	84.1
Air consumption (Nm ³ /h)	110.5	179.4	261.3	343.2	418.6
Sound level (dB(A))	83.9	89.4	92.6	96.9	99.9