



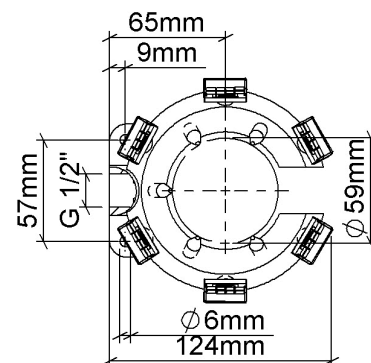
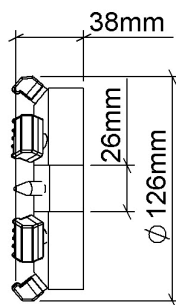
## AIR NOZZLE SILVENT 455

Item number: 04550169069, 04550269069

SILVENT 455: a unique double nozzle system for optimal results. The outer ring provides initial cleaning and prepares the surfaces for the inner system, which then completes the drying or cleaning process. Blowing force 36.0 N (7.9 lbs).

### Technical data

Replace open pipe Ø (mm)	14
Blowing force (N)	36.0
Air consumption (Nm <sup>3</sup> /h)	231
Sound level (dB(A))	94
Nozzle technology	Slot
Material (nozzle)	Zn
Connection	G 1/2"
Connection type	Female
Weight (g)	375
Max temp (°C)	70
Max op. pressure (MPa)	1.0



### Benefits when replacing an open pipe

Replace open pipe Ø (mm)	14	
Noise reduction	25 [dB(A)]	82%
Energy savings	132 [Nm <sup>3</sup> /h]	36%

Material specification: Zn ZP0410 EN 1284, EN 1.0718 Fzb, NBR 70

### Blowing properties at different pressures

Pressure (kPa)	200	400	600	800	1000
Blowing force (N)	14.7	28.7	43.4	56.3	70.8
Air consumption (Nm <sup>3</sup> /h)	106.5	179.2	264.8	345.8	426.7
Sound level (dB(A))	86.0	91.8	96.0	99.9	102.5