



## AIR NOZZLE SILVENT 453

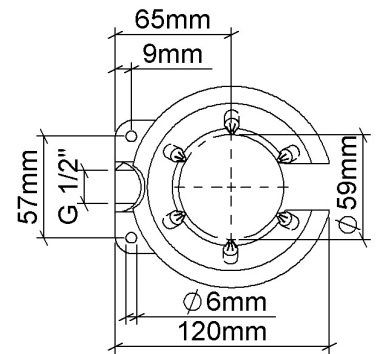
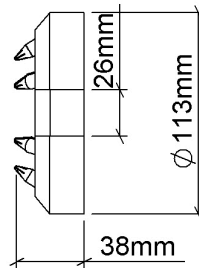
Item number: 04530169067, 04530269067

- **360° nozzle, small**

SILVENT 453: the smallest version of Silvent's doughnut nozzles with just an inner ring of nozzles. This is our most commonly used type of doughnut nozzle. Finding the blowing pattern that is most suitable for the majority of blow-off processes is the result of years of experience with previous generations of doughnut nozzles. These nozzles are designed for continuous production and the cleaning or drying of cables, sections, pipes, hoses, etc. The SILVENT 453 allows problem-free insertion and removal of material with diameters of 5 mm to 25 mm (0.2"-1.0"). There are attachment lugs for easy and safe mounting.

### Technical data

Replace open pipe Ø (mm)	10
Blowing force (N)	20.0
Air consumption (Nm <sup>3</sup> /h)	114
Sound level (dB(A))	90
Nozzle technology	Slot
Material (nozzle)	Zn
Connection	G 1/2"
Connection type	Female
Weight (g)	275
Max temp (°C)	70
Max op. pressure (MPa)	1.0



### Benefits when replacing an open pipe

Replace open pipe Ø (mm)	10	
Noise reduction	22 [dB(A)]	78%
Energy savings	71 [Nm <sup>3</sup> /h]	38%

Material specification: Zn ZP0410 EN 1284, EN 1.0718 Fzb

### Blowing properties at different pressures

Pressure (kPa)	200	400	600	800	1000
Blowing force (N)	8.4	15.6	24.0	30.6	37.8
Air consumption (Nm <sup>3</sup> /h)	55.8	91.8	136.8	178.8	220.8
Sound level (dB(A))	82.0	87.8	92.0	95.9	98.5