



AIR NOZZLE SILVENT 931

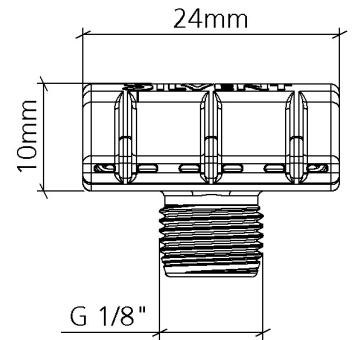
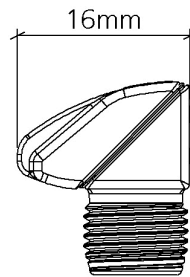
Item number: 09310469444, 09310369442

- **Stainless steel mini-flat nozzle**

SILVENT 931 is a small angled flat nozzle in stainless steel. The nozzle generates a wide thin air stream. Due to its small dimensions, the nozzle is very suitable for machine designs with limited space. The fact that the nozzle is blowing in 90° angle often makes installation easier. The SILVENT 931 is also commonly used in small, silent and efficient custom made air knives. The Silvent technology makes it possible to combine efficient and silent blowing.

Technical data

Replace open pipe Ø (mm)	4
Blowing force (N)	3.4
Air consumption (Nm³/h)	18
Sound level (dB(A))	78
Nozzle technology	Slot
Material (nozzle)	1.4404 (316L)
Connection	G 1/8"
Connection type	Male
Weight (g)	14
Max temp (°C)	400
Max op. pressure (MPa)	1.0



Benefits when replacing an open pipe

Replace open pipe Ø (mm)	4	
Noise reduction	17 [dB(A)]	69%
Energy savings	12 [Nm³/h]	40%

Material specification: EN 1.4404

Blowing properties at different pressures

Pressure (kPa)	200	400	600	800	1000
Blowing force (N)	1.6	2.9	4.2	5.5	6.8
Air consumption (Nm³/h)	9.0	15.0	21.0	27.0	33.0
Sound level (dB(A))	69.4	76.1	79.8	81.4	82.2

Blowing coverage (mm)

